

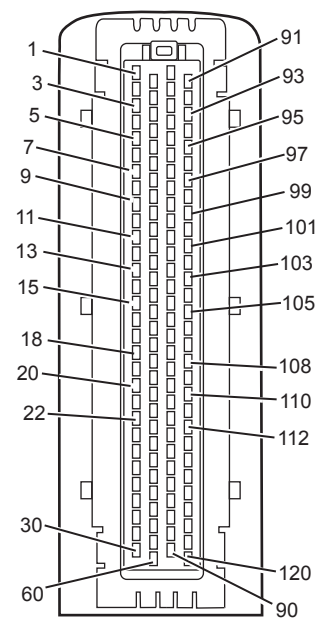
# MCM WIRING DIAGRAM

## DDC RESPONSIBILITY



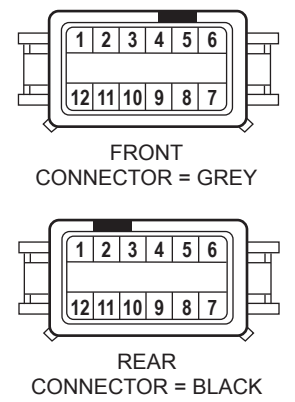
PIN NO.	DESCRIPTION
1	Not Used
2	Not Used
3	Not Used
4	Spill Control Valve (cyl 4)-pin 4
5	Spill Control Valve Common-pin 3
6	Spill Control Valve (cyl 6)-pin 4
7	Spill Control Valve Common-pin 3
8	Spill Control Valve (cyl 5)-pin 4
9	Spill Control Valve Common-pin 3
10	Spill Control Valve (cyl 2)-pin 4
11	Spill Control Valve Common-pin 3
12	Spill Control Valve (cyl 3)-pin 4
13	Spill Control Valve Common-pin 3
14	Spill Control Valve (cyl 1)-pin 4
15	Spill Control Valve Common-pin 3
16	Needle Control Valve (cyl 4)-pin 2
17	Needle Control Valve Common-pin 1
18	Needle Control Valve (cyl 6)-pin 2
19	Needle Control Valve Common-pin 1
20	Needle Control Valve (cyl 5)-pin 2
21	Needle Control Valve Common-pin 1
22	Needle Control Valve (cyl 2)-pin 2
23	Needle Control Valve Common-pin 1
24	Needle Control Valve (cyl 3)-pin 2
25	Needle Control Valve Common-pin 1
26	Needle Control Valve (cyl 1)-pin 2
27	Needle Control Valve Common-pin 1
28	Not Used
29	DOC Outlet Temp Sensor
30	DPF Outlet Pressure Sensor
31	Not Used
32	Jake Front
33	Two-speed Fan or Variable-speed Fan
34	Not Used
35	Not Used
36	Not Used
37	Not Used
38	Ground
39	Not Used
40	Not Used
41	Not Used
42	CKP/TRS(-)
43	CKP/TRS(+)
44	CMP/SRS(-)
45	CMP/SRS(+)
46	Not Used
47	Fan Speed
48	Not Used
49	Not Used
50	Sensor Ground
51	Turbo Speed Sensor
52	Sensor Ground
53	Not Used
54	Engine Oil Pressure Sensor
55	Sensor Ground
56	Not Used
57	Not Used
58	Sensor Power Supply
59	Not Used
60	EGR Valve Position

PIN NO.	DESCRIPTION
61	EGR Valve
62	Power Supply
63	Not Used
64	Power Supply
65	Electronic Dosing Valve
66	Jake Rear
67	Ground
68	Not Used
69	Fuel Cutoff Valve
70	Ether Start
71	Not Used
72	Not Used
73	Not Used
74	VNT CAN (-)
75	VNT CAN (+)
76	Not Used
77	Supply Fuel Temperature Sensor
78	Not Used
79	Not Used
80	Not Used
81	Not Used
82	Sensor Power Supply
83	EGR Temperature Sensor
84	Fuel Compensation Pressure Sensor
85	Sensor Power Supply
86	Turbo Compressor InTemp Sensor
87	Intake Manifold Pressure Sensor
88	Sensor Ground
89	DOC Inlet Temp Sensor
90	Sensor Position
91	Intake Air Throttle Valve
92	Power Supply
93	Power Supply
94	Not Used
95	Not Used
96	Not Used
97	Not Used
98	Single-Speed Fan or Two-Speed Fan
99	Not Used
100	Intake Air Throttle (+)
101	Intake Air Throttle (-)
102	Sensor Ground
103	Sensor Ground
104	Sensor Ground
105	Sensor Ground
106	Intake Air Temperature Sensor
107	Not Used
108	Engine Oil Temperature Sensor
109	EGR Delta Pressure Sensor
110	Engine Coolant Temperature Sensor
111	Fuel Line Pressure Sensor
112	Turbo Compressor Out Temp Sensor
113	Not Used
114	Sensor Ground
115	DPF Outlet Temp Sensor
116	Not Used
117	Sensor Power Supply
118	DPF Inlet Pressure Sensor
119	Not Used
120	Not Used

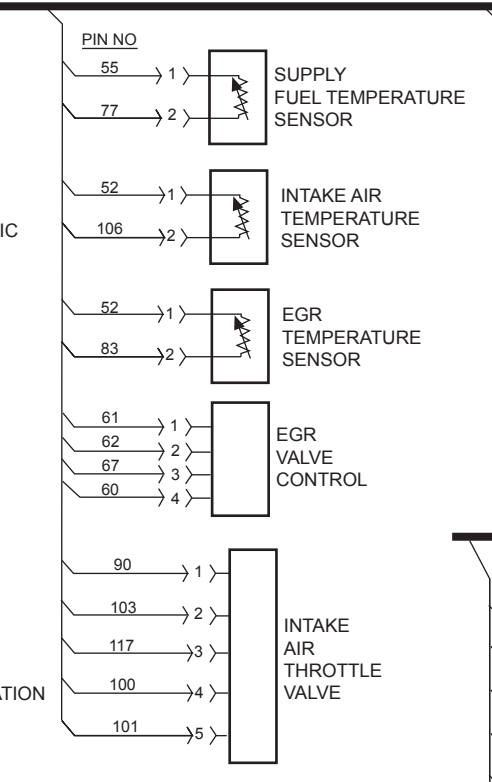


120-PIN CONNECTOR

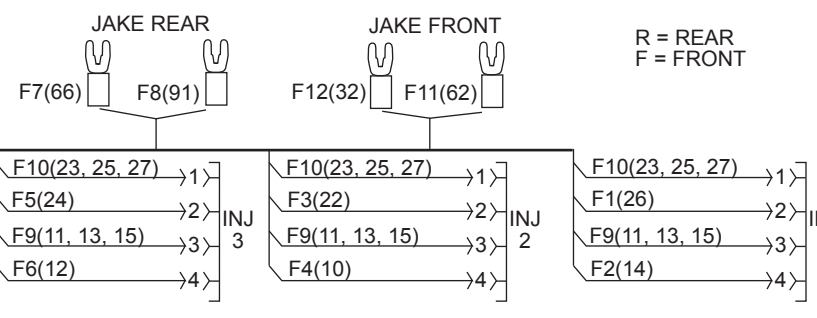
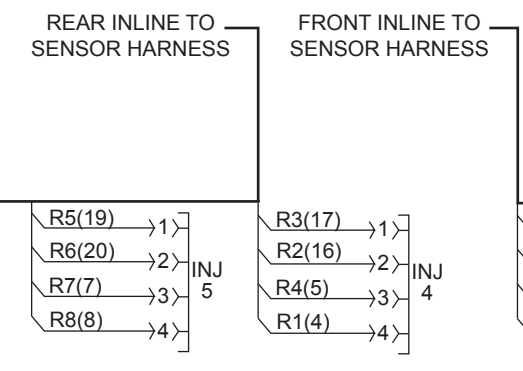
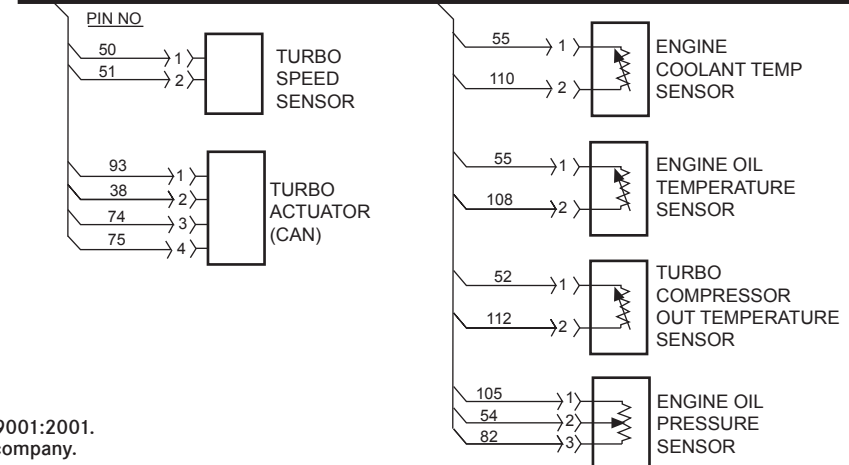
LOOKING INTO VALVE COVER



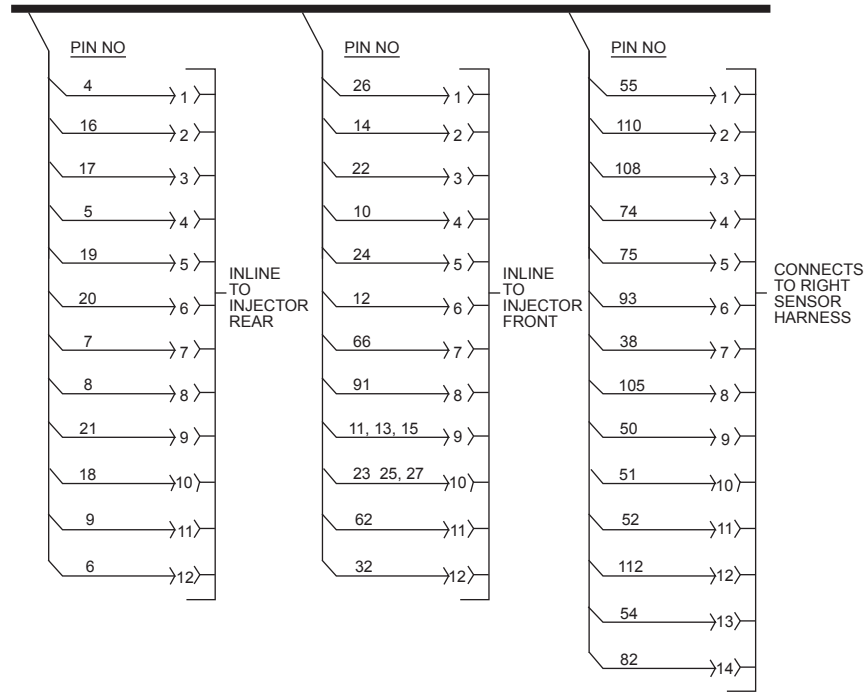
### LEFT SENSOR HARNESS



### RIGHT SENSOR HARNESS



### INJECTOR HARNESS (WITH JAKE BRAKE)



CAVITY	LABEL	WIRING
	PLUG	→ 1
	PLUG	→ 2
	PLUG	→ 3
	PLUG	→ 4
	PLUG	→ 5
	PLUG	→ 6
	PLUG	→ 7
70	ETHER START	→ 8
33	FAN CONTROL #2	→ 9
98	FAN CONTROL #1	→ 10
	PLUG	→ 11
	PLUG	→ 12
	PLUG	→ 13
	PLUG	→ 14
	PLUG	→ 15
	PLUG	→ 16
29	DOC OUTLET TEMP SENSOR	→ 17
89	DOC INLET TEMP SENSOR	→ 18
115	DPF OUTLET TEMP SENSOR	→ 19
	PLUG	→ 20
	PLUG	→ 21
91	POWER SUPPLY	→ 22
47	FAN SPEED	→ 23
88	SENSOR GND	→ 24
	PLUG	→ 25
	PLUG	→ 26
86	TCI TEMP SENSOR	→ 27
114	SENSOR RETURN	→ 28
85	SENSOR SUPPLY	→ 29
30	DPF OUTLET PRESSURE SENSOR	→ 30
	DPF INLET PRESSURE SENSOR	→ 31

## DDEC VI SERIES 60 MCM EGR ENGINE HARNESS

Specifications are subject to change without notice. Detroit Diesel Corporation is registered to ISO 9001:2001. Copyright © Detroit Diesel Corporation. All rights reserved. Detroit Diesel Corporation is a Daimler company. DDC-SVC-MAN-0054 0806 Copyright © 2008 DETROIT DIESEL CORPORATION. Printed in U.S.A.