

DETROIT DIESEL



Installation Instructions

18SP573 – Installation of MBE4000 Fuel Filter Housing Repair Kit 23533319

Introduction

This kit (23533319) permits the installation of a stiffening bracket and fuel filter housing on an MBE 4000 engine. The kit components are listed in Table 1.

Part No.	Qty.	Description
5410900852	1	Fuel Filter Housing
4600920440	1	Stiffening Bracket
910105010008	2	Bolt, M10 x 45
910105012003	1	Bolt, M12 x 20
000000001070	10	Seal Ring
18SP573	1	Installation Instructions

Table 1 Components of Kit 23533319

Installation

Perform the following steps to install the stiffening bracket:

CAUTION:

To avoid injury from penetrating fluids, do not put your hands in front of fluid under pressure. Fluids under pressure can penetrate skin and clothing.

CAUTION:

To avoid injury from fire, keep all potential ignition sources away from diesel fuel, open flames, sparks, and electrical resistance heating elements. Do no smoke when refueling.

NOTE:

For additional safety precautions, refer to the MBE 4000 Service Manual (6SE412) General Information section.

1. Remove the fuel filter housing from the engine; refer to the MBE 4000 Service Manual (6SE412, dated 0206, Fuel Filter Removal section) for instructions.

2. Discard both bolts. Do not reuse.
3. Install the new fuel filter housing (5410900852) and the stiffening bracket (4600920440). Install two new bolts (910105010008 – M10 x 45) and torque to 50 N·m (37 lb·ft). See Figure 1.

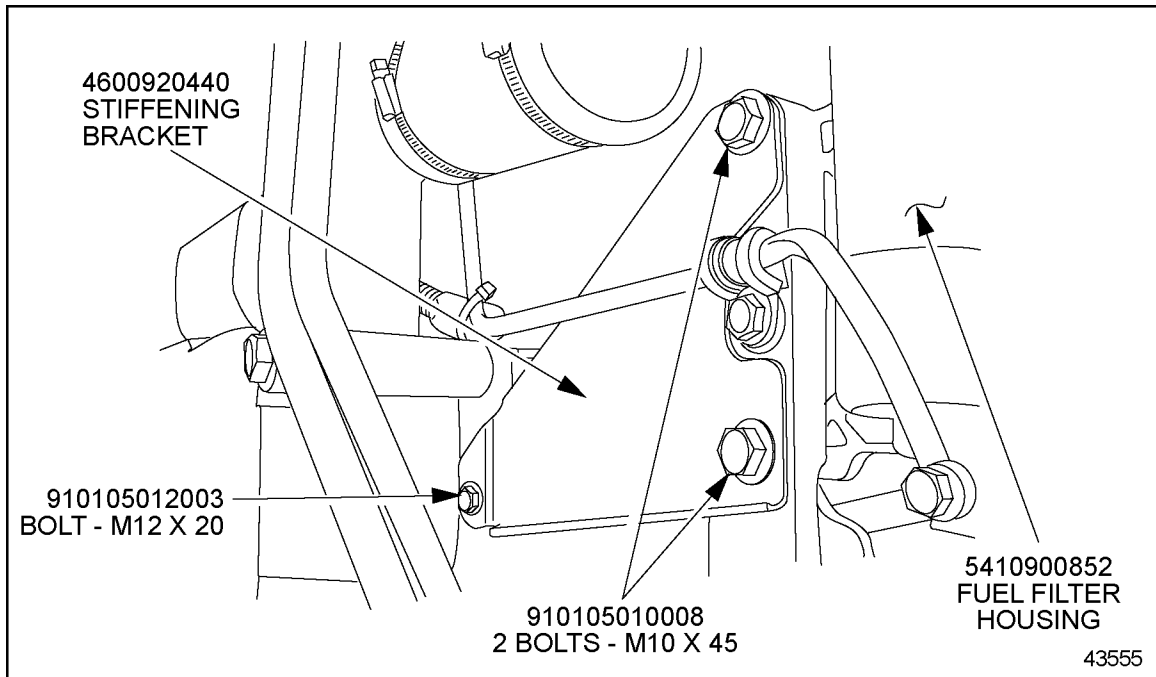


Figure 1 Fuel Filter Housing Stiffening Bracket Installation

4. Install the third bolt (910105012003 – M12 x 20) to the engine block. Torque to 100 N·m (74 lb·ft).
5. Install the fuel filter lines as described in the MBE 4000 Service Manual (6SE412, dated 0206, Fuel Filter Installation section).

DETROIT DIESEL



13400 Outer Drive, West, Detroit, Michigan 48239-4001
Telephone: 313-592-5000
www.detroitdiesel.com

Copyright© 2003 Detroit Diesel Corporation. Detroit Diesel®, DDC®, and the spinning arrows design are registered trademarks of Detroit Diesel Corporation. All other trademarks are the property of their respective owners.

18SP573 0307 As technical advances continue, specifications will change. All rights reserved. Printed in U.S.A.