

# DETROIT DIESEL



## DDEC<sup>®</sup> V SECM Service Information

NUMBER: 08 DDEC V-1

S.M. REF.: 51.2.1 ENGINE: SECM DATE: August 2008

SUBJECT: TROUBLESHOOTING FLASH CODE 51, PID 351/FMI 3

PUBLICATION: DDC-SVC-MAN-0012

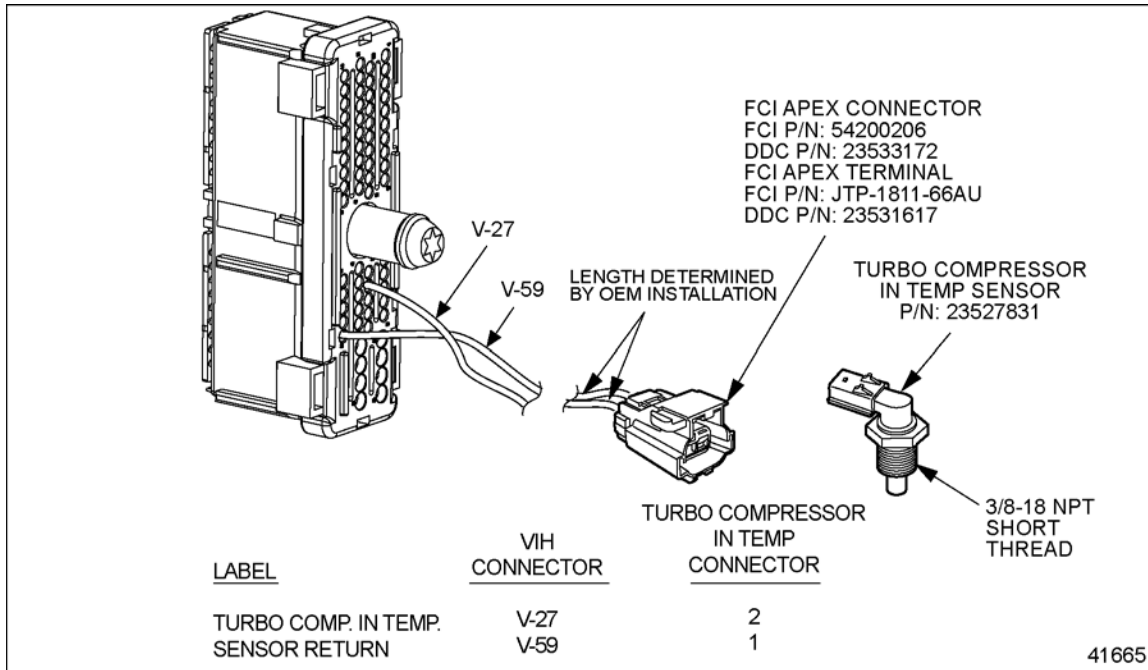
Troubleshooting Flash Code 51, PID 351/FMI 3 graphic has been updated.

Section	Change
51.2.1 TCI Sensor and Connector graphic	Sensor return has been updated to V-59

## TROUBLESHOOTING FLASH CODE 51, PID 351/FMI 3

Follow these steps to check for codes:

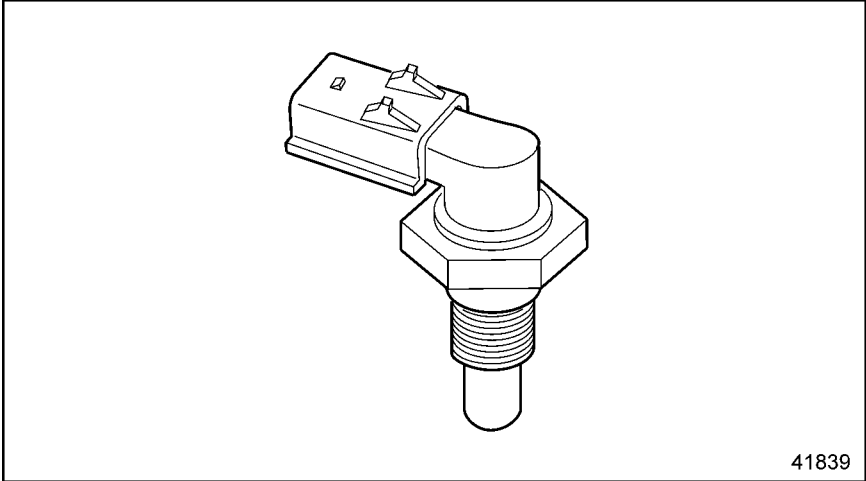
1. Unplug coding sensor.
2. Insert jumper wire between #1 and #2 of the sensor connector.
3. Start and run engine for six minutes.
  - [a] If code 351/3 displays, refer to section 51.2.2 "Check for Open".
  - [b] If code 351/4 displays, go to step 4.
4. Check the connectors for damaged, bent or broken pins. See Figure 1.



**Figure 1 TCI Sensor and Connector**

- [a] If damaged pins are found, repair the connector and test.

[b] If no damaged pins are found, replace the sensor (see Figure 2).



**Figure 2 Turbo Compressor In Temperature Sensor**

---

## **ADDITIONAL SERVICE INFORMATION**

Additional service information is available in the Detroit Diesel DDEC V *Single ECM Troubleshooting Guide*, DDC-SVC-MAN-0012. The next revision to this guide will include the revised information.

**DETROIT DIESEL**  
CORPORATION



13400 Outer Drive, West / Detroit, Michigan 48239-4001  
Telephone: 313-592-5000  
[www.detroitdiesel.com](http://www.detroitdiesel.com)